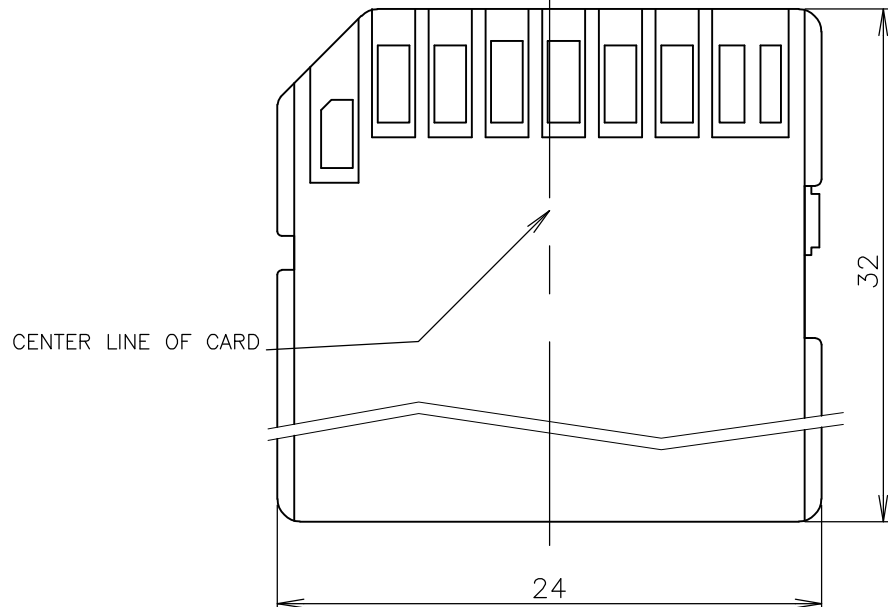
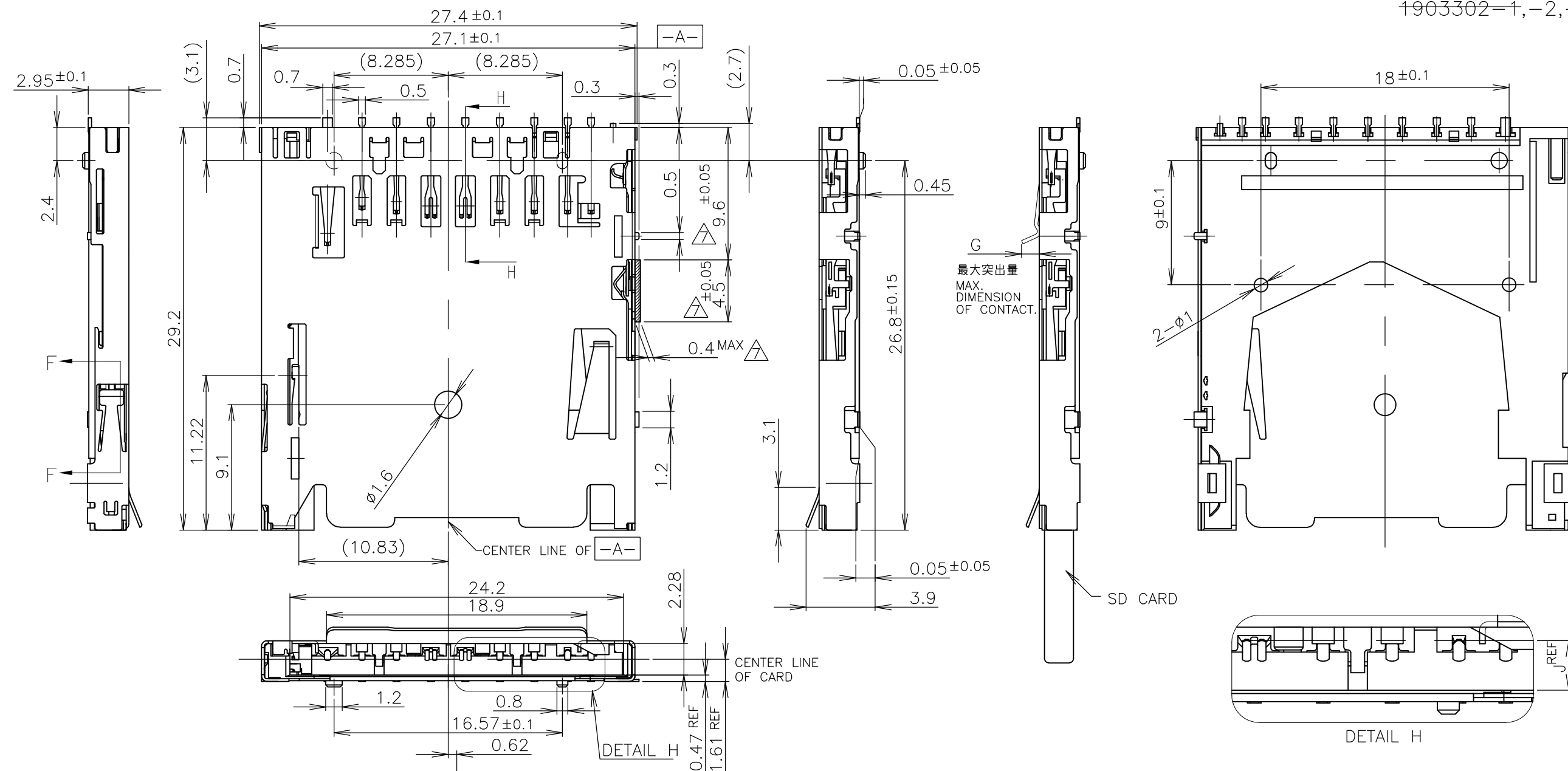


P	LTR	DESCRIPTION	DATE	DWN	APVD
G		REVISED PER ECR-11-010276	17AUG2011	Y.O	T.K

1903302-1,-2,-3,-4 ; AS SHOWN



PART No.	DIMENSION G	
	-1, -2	-3, -4
カード正規挿入時の最大突出量 MAX. DIMENSION OF CONTACT	0.4MAX.	0.7MAX.
カード逆挿し時の最大突出量 MAX. DIMENSION OF CONTACT	1.3MAX.	1.6MAX.

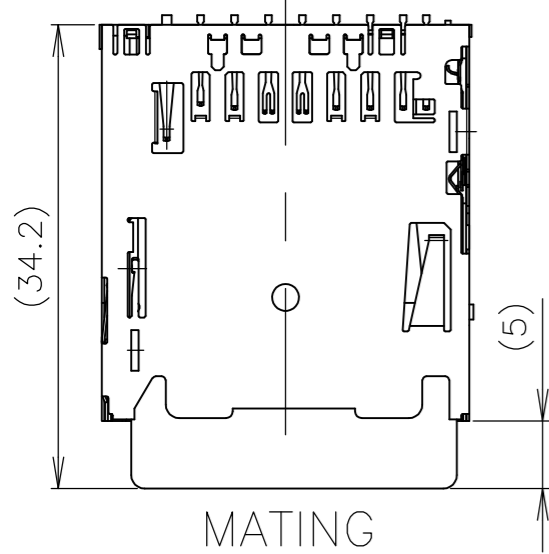
2.2	110°±1°	1903302-4
	93°±1°	1903302-3
1.8	110°±1°	1903302-2
	93°±1°	1903302-1
J	HOOK SPRING ANGLE	PART NUMBER

OBSOLETE

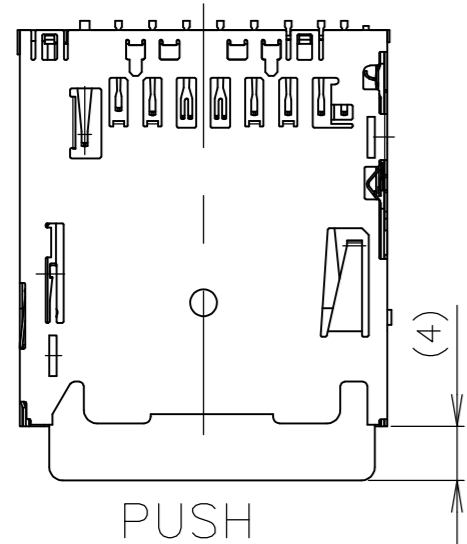
THIS DRAWING IS A CONTROLLED DOCUMENT.		DWN Y.OKOSHI 31OCT2005	TE Connectivity SD MEMORY CARD CONNECTOR PUSH PUSH TYPE REVERSE H0		RESTRICTED TO	
DIMENSIONS: 単位: 耗 mm		CHK Y.UCHIKAWA 01NOV2005				NAME 名称
TOLERANCES UNLESS OTHERWISE SPECIFIED: 一般公差		APVD T.KUSUHARA 01NOV2005				PRODUCT SPEC 製品規格 108-78220-2
0 PLC ±0.3 1 PLC ±0.3 2 PLC ±0.3 3 PLC ±0.3 4 PLC ±0.3 ANGLES ±3°		APPLICATION SPEC 取付適用規格	SIZE A3	CAGE CODE 00779	DRAWING NO 番号 G-1903302	
MATERIAL 材料		FINISH 仕上	WEIGHT 2.05g	SCALE 尺度 NTS	SHEET 1 OF 4	
CUSTOMER DRAWING			REV G			

LOC	DIST	REVISIONS					
		P	LTR	DESCRIPTION	DATE	DWN	APVD
J	/	-	-	SEE SHEET 1	-	-	-

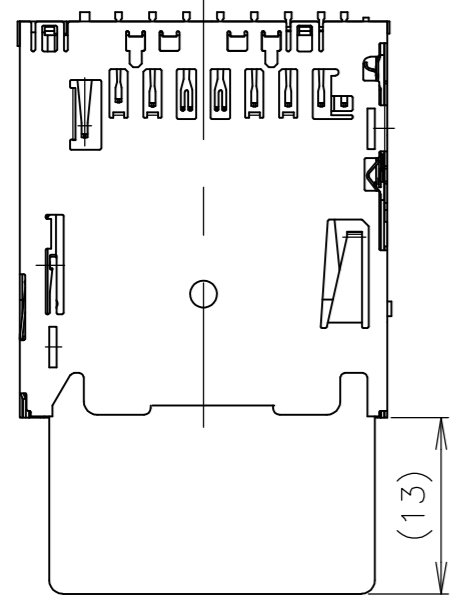
1903302-1,-2,-3,-4 ; AS SHOWN



MATING



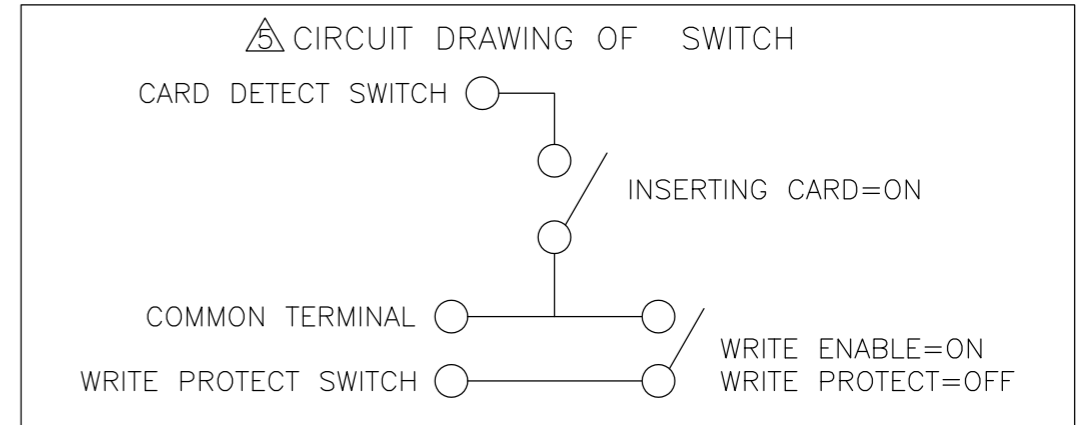
PUSH



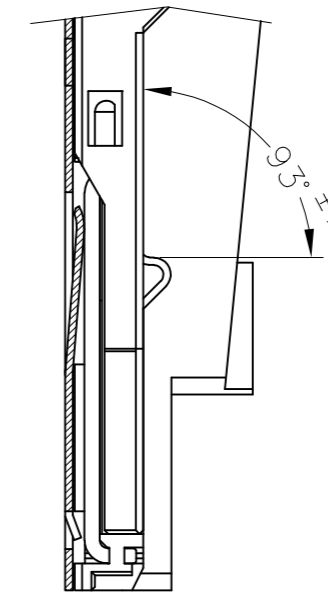
EJECT

- △1 カード認識スイッチ用
- △2 コモン端子用
- △3 ライトプロテクトスイッチ用
- 4 カード挿入時の接触の順番
PIN #3,4 → PIN #2,5,6,7,8,9
カード認識スイッチ ← PIN #1 ←
- △5 スwitchの回路図
- 6 本製品は浸漬による洗浄は行わないこと。
- △6 部品実装禁止エリア
- 8 コプラナリティは、0.1mm以下。
- 9 材料
ハウジング：LCP樹脂、UL94V-0、黒色
スライダ：LCP樹脂、UL94V-0、NATURAL
コンタクト：銅合金
シェル：銅合金 (t=0.2)
- 10 仕上げ
コンタクト：接点部：Ni下地めっき 2~4μm、Auめっき0.2~0.5μm。
タイン：Snめっき 2~4μm。(無光沢)
タイン：Auめっき 0.05~0.13μm。(コモン端子)
シェル：Cu 0.5μm.MIN. Snめっき(前めっき リフロー処理) 1μm. MIN.
- 11 適合基板厚 0.8±0.1mm
- 12 サンプルを実装して不具合の有無を確認して下さい。
- 13 対応カード：SDAの規格に準拠したSDカード

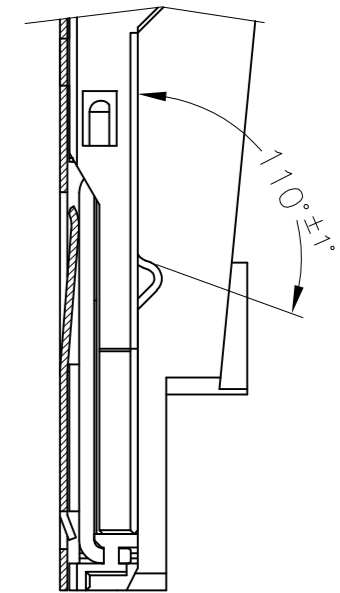
- △1 FOR CARD DETECT SWITCH
- △2 FOR COMMON TERMINAL
- △3 FOR WRITE PROTECT SWITCH
- 4 THE SEQUENCE OF CONTACT DURING CARD INSERTION
PIN #3,4 → PIN #2,5,6,7,8,9
CARD DETECT SWITCH ← PIN #1 ←
- △5 CIRCUIT DRAWING OF SWITCH
- 6 DON'T WASH BY IMMERSING THE CONNECTOR IN FLUID
- △6 COMPONENT PROHIBITION AREA
- 8 COPLANARITY IS 0.1 MAX.
- 9 MATERIAL
HOUSING: LCP, UL94V-0, BLACK
SLIDER: LCP, UL94V-0, NATURAL
CONTACT: COPPER ALLOY
SHELL: COPPER ALLOY (t=0.2)
- 10 FINISH
CONTACT: CONTACT AREA: Ni UNDER PLATING 2~4um. Au PLATING 0.2~0.5um.
TINE: Sn PLATING 2~4um. (NON LUSTER)
TINE: Au PLATING 0.05~0.13um. (COMMON TERMINAL)
SHELL: Cu 0.5um. MIN. Sn PLATING (PRE-TIN REFLOW) 1um. MIN.
- 11 APPLICABLE BOARD THICKNESS :0.8±0.1mm
- 12 PLEASE MOUNT THE SAMPLE AND CONFIRM THE PRESENCE OF TROUBLE.
- 13 ADAPTABLE CARD : SD CARD IN ACCORDANCE WITH STANDARD OF SDA.



ANGLE OF HOOK SPRING



ANGLE OF HOOK SPRING UNIT. -1,-3 : AS SHOWN



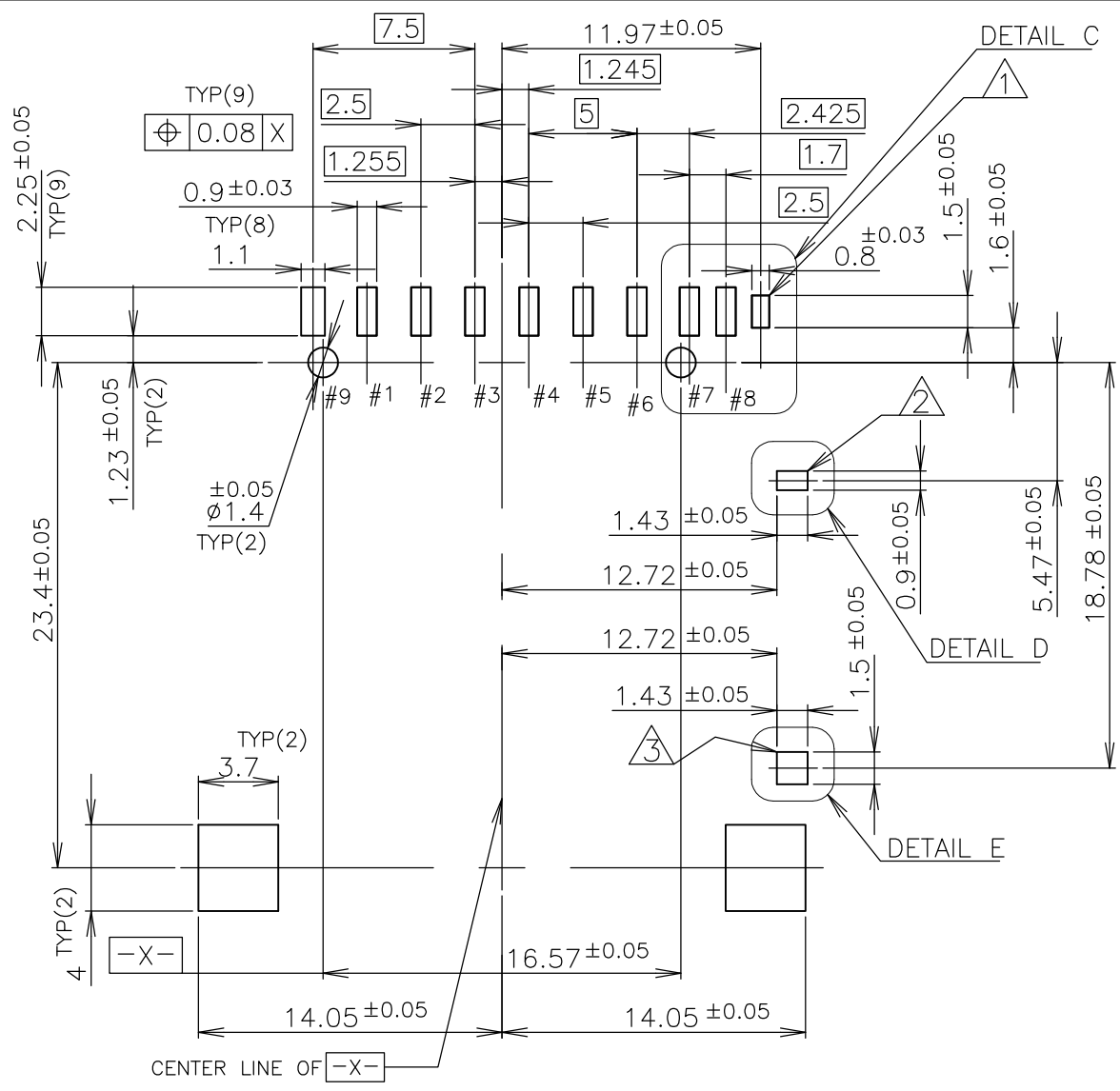
ANGLE OF HOOK SPRING UNIT. -2,-4 : AS SHOWN

F-F

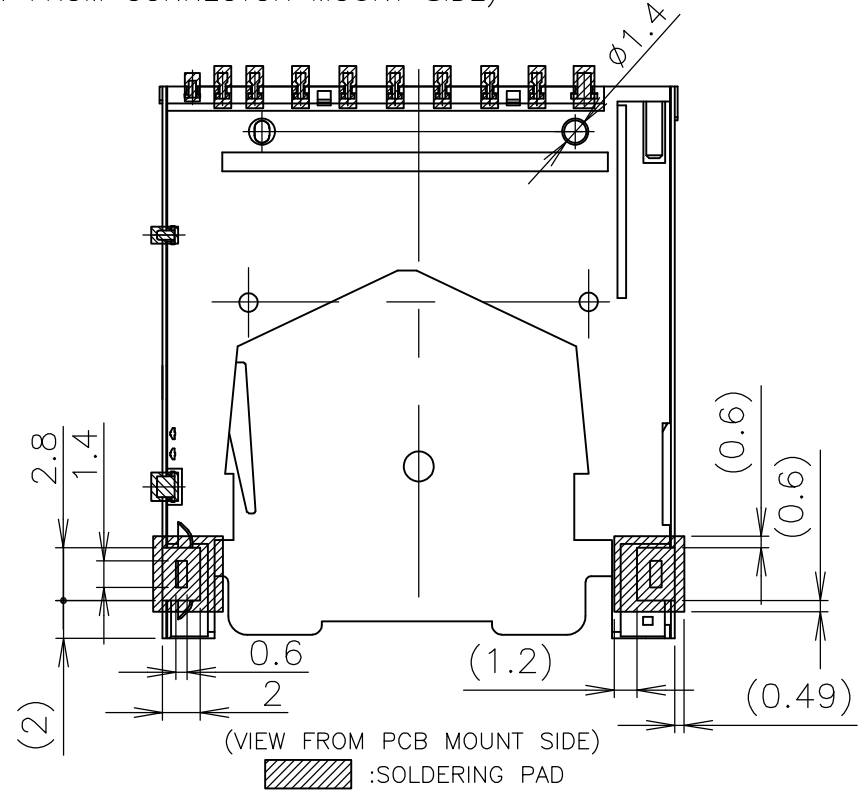
THIS DRAWING IS A CONTROLLED DOCUMENT.		DWN	TE Connectivity		
DIMENSIONS: 単位: 耗 mm		CHK			
TOLERANCES UNLESS OTHERWISE SPECIFIED: 一般公差		APVD	NAME 名称		
0 PLC ± 0.3		PRODUCT SPEC 製品規格	SD MEMORY CARD CONNECTOR		
1 PLC ± 0.3		APPLICATION SPEC 取付適用規格	PUSH PUSH TYPE		
2 PLC ± 0.3		WEIGHT	SIZE	CAGE CODE	DRAWING NO 番号
3 PLC ± 0.3		CUSTOMER DRAWING	A3	00779	G-1903302
4 PLC ± 0.3			SCALE 尺度	NTS	SHEET 2 OF 4
ANGLES ± 3'		RESTRICTED TO			
FINISH 仕上					

THIS DRAWING IS UNPUBLISHED. RELEASED FOR PUBLICATION OCT. 2005.
 © COPYRIGHT 2005 By - ALL RIGHTS RESERVED.

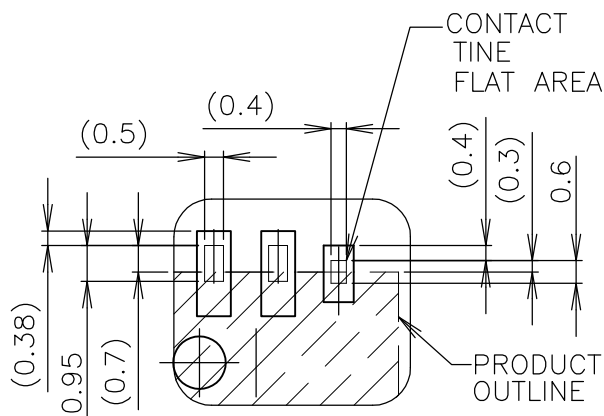
LOC	DIST	REVISIONS					
J		P	LTR	DESCRIPTION	DATE	DWN	APVD
		-		SEE SHEET 1	-	-	-



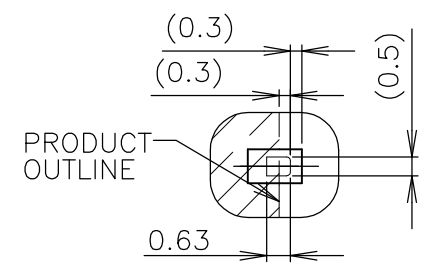
PCB PATTERN LAYOUT(REFERENCE)
 (VIEW FROM CONNECTOR MOUNT SIDE)



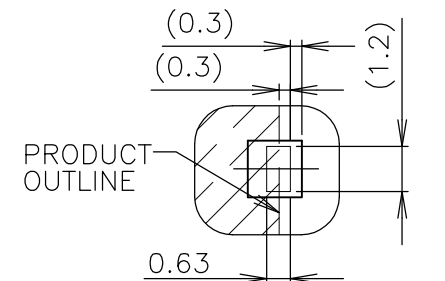
(VIEW FROM PCB MOUNT SIDE)
 :SOLDERING PAD



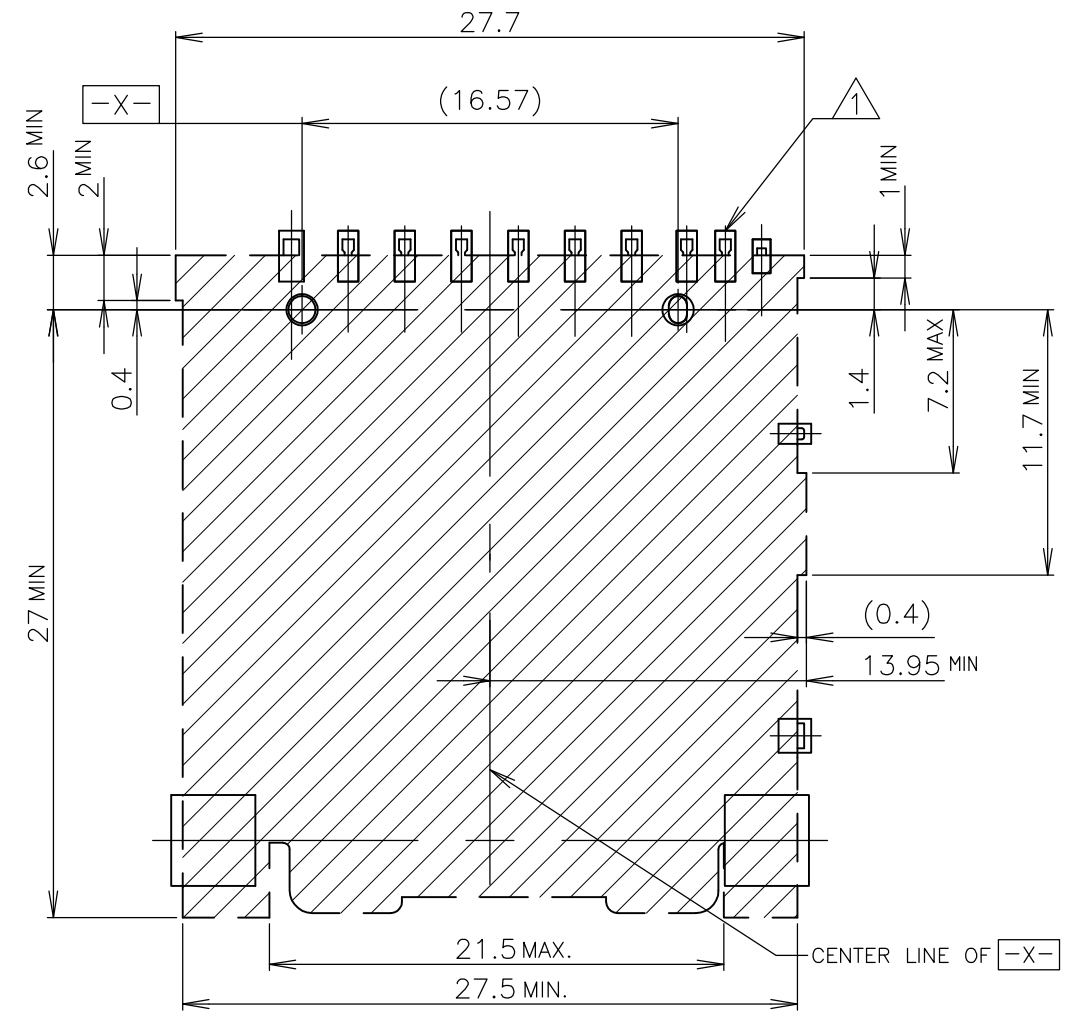
DETAIL C (SCALE 5:1)



DETAIL D (SCALE 5:1)



DETAIL E (SCALE 5:1)



(VIEW FROM CONNECTOR MOUNT SIDE)

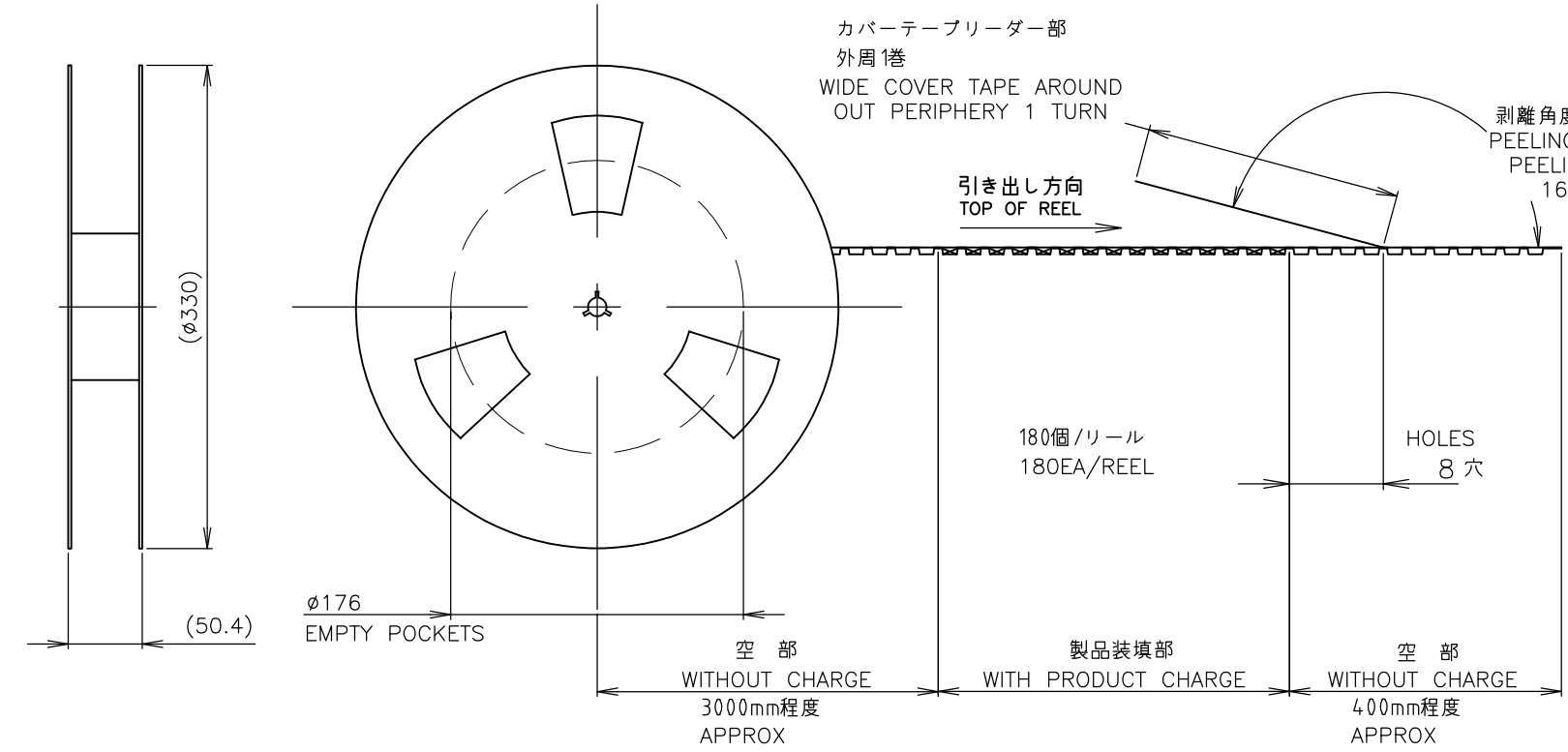
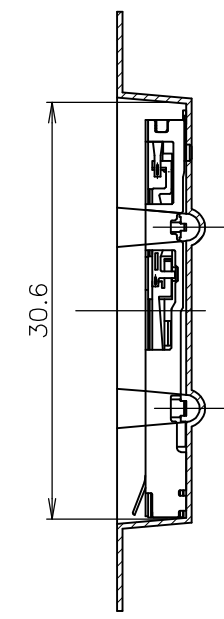
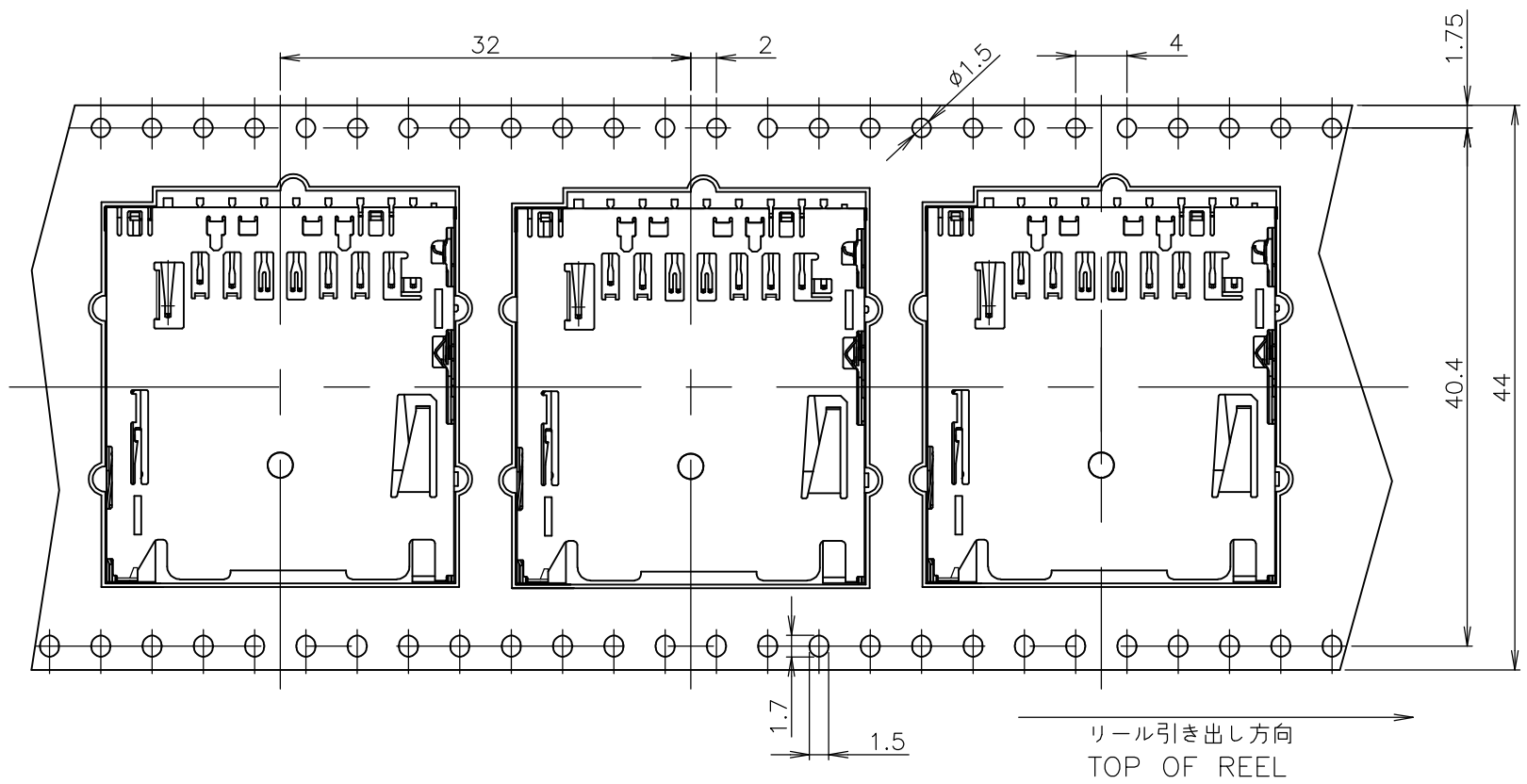
▨ :COMPONENT PROHIBITION AREA
 □ :SOLDERING PAD

1903302-1,-2,-3,-4 ; AS SHOWN

THIS DRAWING IS A CONTROLLED DOCUMENT.		DWN	TE Connectivity		
DIMENSIONS: 单位: 耗 mm		CHK			
TOLERANCES UNLESS OTHERWISE SPECIFIED: 一般公差		APVD	NAME 名称		
0 PLC ± 0.3		PRODUCT SPEC 製品規格	SD MEMORY CARD CONNECTOR		
1 PLC ± 0.3		APPLICATION SPEC 取付適用規格	PUSH PUSH TYPE		
2 PLC ± 0.3		WEIGHT	SIZE	CAGE CODE	DRAWING NO 番号
3 PLC ± 0.3		CUSTOMER DRAWING	A3	00779	G-1903302
4 PLC ± 0.3			SCALE 尺度	NTS	SHEET 3 OF 4
ANGLES ± 3'		RESTRICTED TO			

THIS DRAWING IS UNPUBLISHED. RELEASED FOR PUBLICATION OCT. 2005.
 © COPYRIGHT 2005 By - ALL RIGHTS RESERVED.

LOC	DIST	REVISIONS		
		P	LTR	DESCRIPTION
J	/	-	-	SEE SHEET 1
				DATE
				DWN
				APVD



1903302-1,-2,-3,-4 ; AS SHOWN

THIS DRAWING IS A CONTROLLED DOCUMENT.		DWN	STE TE Connectivity		
DIMENSIONS: 単位: 耗 mm		CHK			
TOLERANCES UNLESS OTHERWISE SPECIFIED: 一般公差		APVD	NAME 名称		
0 PLC ± 0.3		PRODUCT SPEC	SD MEMORY CARD CONNECTOR		
1 PLC ± 0.3		製品規格	PUSH PUSH TYPE		
2 PLC ± 0.3		APPLICATION SPEC	REVERSE H0		
3 PLC ± 0.3		取付適用規格	SIZE	CAGE CODE	DRAWING NO
4 PLC ± 0.3		FINISH 仕上	A3	00779	G-1903302
MATERIAL 材料		WEIGHT	RESTRICTED TO		
		CUSTOMER DRAWING	SCALE 尺度	SHEET	REV
			NTS	4 OF 4	G